



ASME B18.16.4 Flange Nuts

Leader-Fastener is a manufacturer and distributor of **ASME B18.16.4 Flange Nuts**. We have a complete line of service from having invested in production plants, export department and to having a quality control team and center to meet your requirements. We regard quality as the life of the company. We persist in good quality as the first policy and have established a set of quality control and inspection system according to the international standard. We have carried out ISO9001 Quality Guarantee System in every course of production, transportation and selling. We do hope we could be your partner in business by topping quality, knight service and

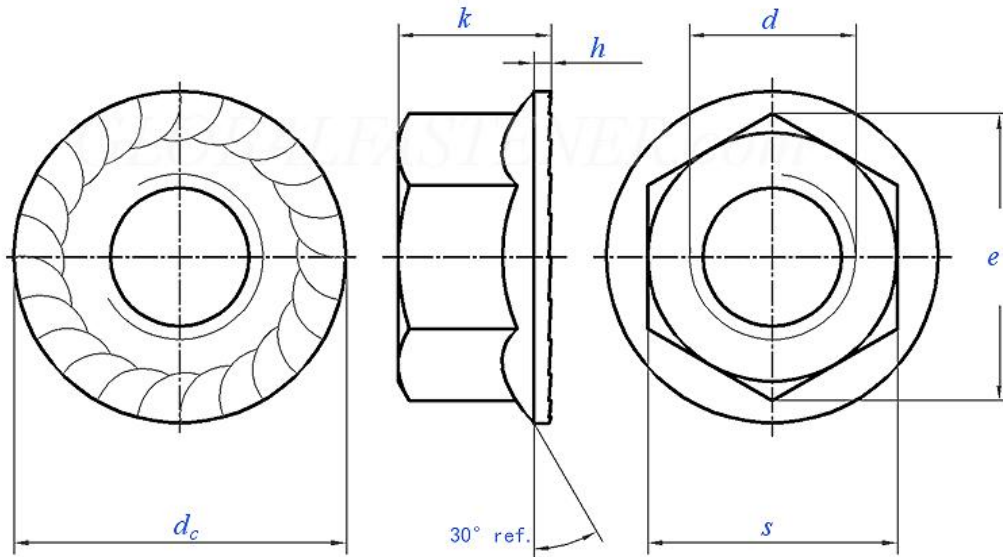
competitive price in the near future and be your friends as well.

ASME B18.16.4 Flange Nuts are available in a variety of flange diameter, width across flat, materials, shape, tolerance, thread, size, design, finishing and many other specifications. Various **ASME B18.16.4 Flange Nuts** used for different applications and projects. This American standard of Metric Hex Flange Nuts also used for securing access panels and any work holding application.

Product Specification of **ASME B18.16.4 Flange Nuts**

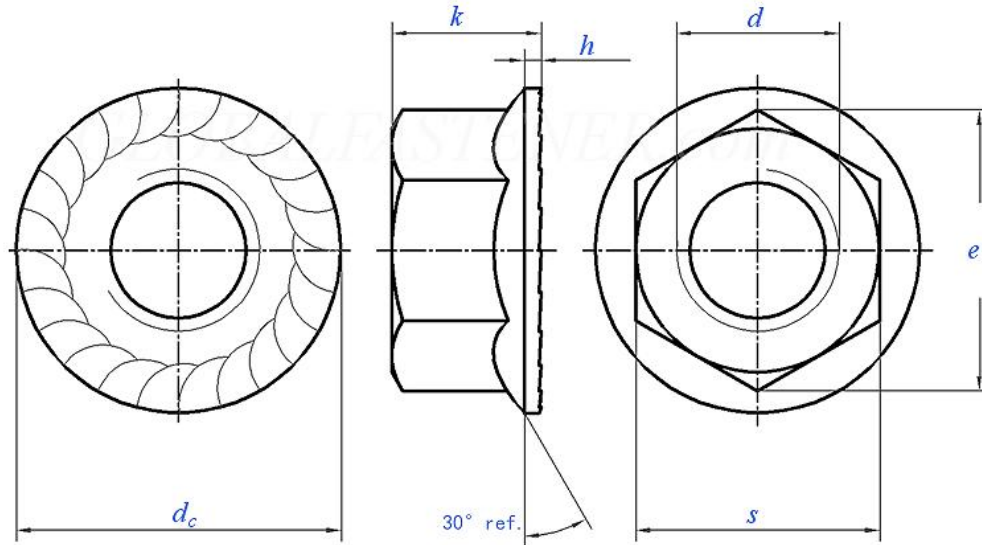
Material : Carbon steel, Stainless steel, Alloy Steel, Brass.

Finishment: Black, Zinc Plated, Zinc Yellow, HDG, Phosphate, DACROMET, Geomet, Magin, Ruspert, Teflon, etc.

ASME B 18.16.4 - 2008 Regular Serrated Flange Locknuts [Table 1] (ASTM F2282)


Thread Size		6#	8#	10#	12#	1/4	5/16	3/8	7/16	1/2	9/16	5/8	3/4
d		0.1380	0.1640	0.1900	0.2160	0.2500	0.3125	0.3750	0.4375	0.5000	0.5625	0.6250	0.7500
PP	UNC	32	32	24	24	20	18	16	14	13	12	11	10
	UNF	40	36	32	28	28	24	24	20	20	18	18	16
s	max	0.312	0.344	0.375	0.438	0.438	0.500	0.562	0.688	0.750	0.875	0.938	1.125
	min	0.302	0.334	0.365	0.428	0.428	0.489	0.551	0.675	0.736	0.861	0.922	1.088
e	max	0.361	0.397	0.433	0.505	0.505	0.577	0.650	0.794	0.866	1.010	1.083	1.299
	min	0.342	0.381	0.416	0.488	0.488	0.557	0.628	0.768	0.840	0.982	1.051	1.240
d _c	max	0.422	0.469	0.500	0.594	0.594	0.680	0.750	0.937	1.031	1.188	1.281	1.500
	min	0.408	0.452	0.480	0.574	0.574	0.660	0.728	0.910	1.000	1.155	1.248	1.460
k	max	0.171	0.203	0.219	0.236	0.236	0.283	0.347	0.395	0.458	0.506	0.569	0.675
	min	0.156	0.187	0.203	0.222	0.222	0.268	0.330	0.375	0.437	0.483	0.545	0.627
h	min	0.02	0.02	0.03	0.04	0.04	0.04	0.04	0.04	0.05	0.05	0.05	0.06

ASME B 18.16.4 - 2008 Large Serrated Flange Locknuts (ASTM F2282)



Nominal Diameter		1/4	5/16	3/8	7/16	1/2	9/16	5/8
d		0.2500	0.3125	0.3750	0.4375	0.5000	0.5625	0.6250
PP	UNC	20	18	16	14	13	12	11
	UNF	28	24	24	20	20	18	18
s	max	0.438	0.500	0.562	0.688	0.750	0.875	0.938
	min	0.428	0.489	0.551	0.675	0.736	0.861	0.922
e	max	0.505	0.577	0.650	0.794	0.866	1.010	1.083
	min	0.488	0.557	0.628	0.768	0.840	0.982	1.051
d_c	max	0.728	0.820	0.915	1.131	1.205	1.300	1.360
	min	0.700	0.790	0.885	1.100	1.175	1.260	1.280
k	max	0.312	0.375	0.406	0.468	0.515	0.578	0.640
	min	0.281	0.343	0.390	0.437	0.485	0.546	0.600
h	min	0.04	0.04	0.04	0.04	0.06	0.06	0.06